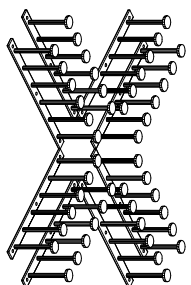


# CHAIR ATTACHMENT (CLIP STYLE CHAIR)

## INSTALLATION INSTRUCTIONS FOR STUDRAILS® WITH $\frac{1}{2}$ " & $\frac{5}{8}$ " DIAMETER STUDS

Sonoma, CA  
(866) DECON-US

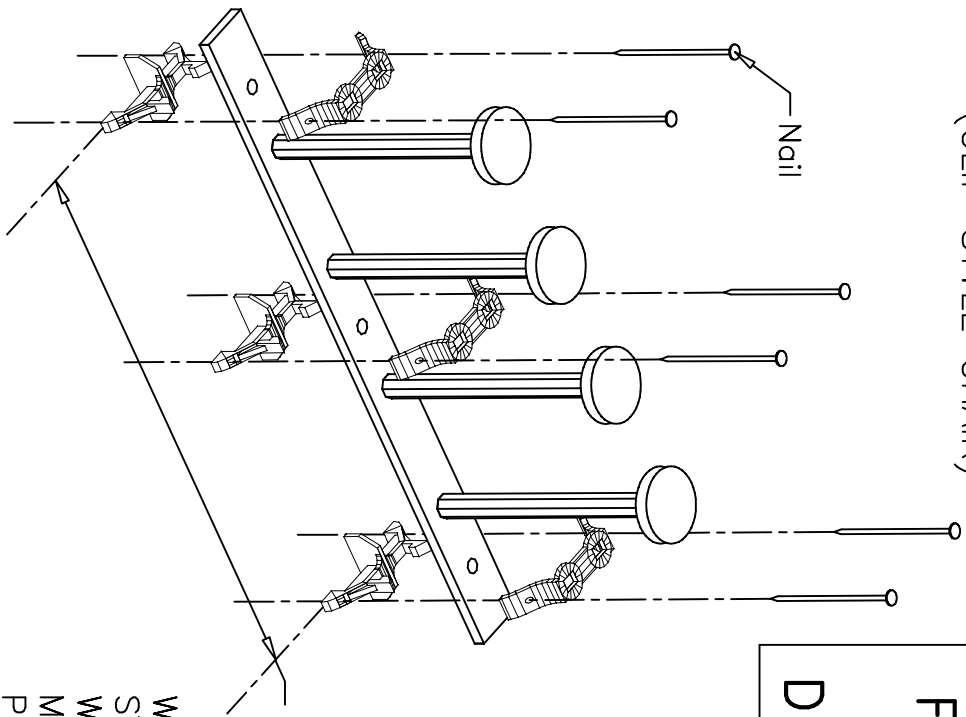
Brampton, ON  
(800) 36-DECON



Medford, NJ  
(800) 527-RAIL

[www.DeconUSA.com](http://www.DeconUSA.com)

Beaufort, SC  
(800) 975-6990

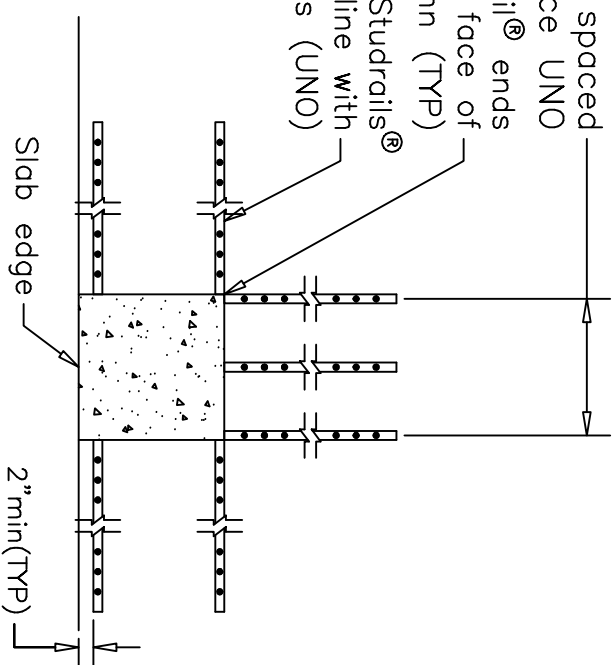


Chairs should be  
equally spaced along  
Studrail® UNO

Studrails® should be  
equally spaced  
along column face UNO

Studrail® ends  
at face of  
column (TYP)  
Edge of Studrails®  
to be in line with  
column faces (UNO)

**WARNING!**  
STUDRAILS® MUST BE INSTALLED  
WITH THE STUDS VERTICAL AND  
MUST REMAIN VERTICAL WHEN  
PLACING THE CONCRETE.



- Studrails® must be vertical.
- Studrails® must be placed at column corners UNO.
- Position chairs 2" minimum from rail ends.
- Slide additional chairs on rail equally spaced (See table).
- Use one chair top with each chair bottom.
- Position chair top over base rail.
- Use 4d-6d common nails.
- Insert nail through hole in chair top.
- Nail through chair to form.
- Nail all chairs tightly.

NOTE: QUANTITY OF CHAIRS SHIPPED REFLECTS  
REQUIRED QUANTITIES PER LENGTH OF RAIL

Length of rail	No. chairs
0 - 19 $\frac{3}{4}$ "	2
20 - 39 $\frac{3}{4}$ "	3
40 - 59 $\frac{3}{4}$ "	4
60 - 79 $\frac{3}{4}$ "	5
80"+	6